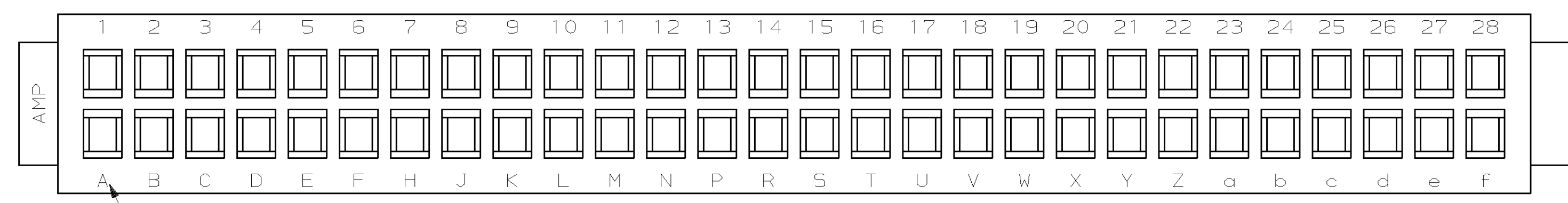
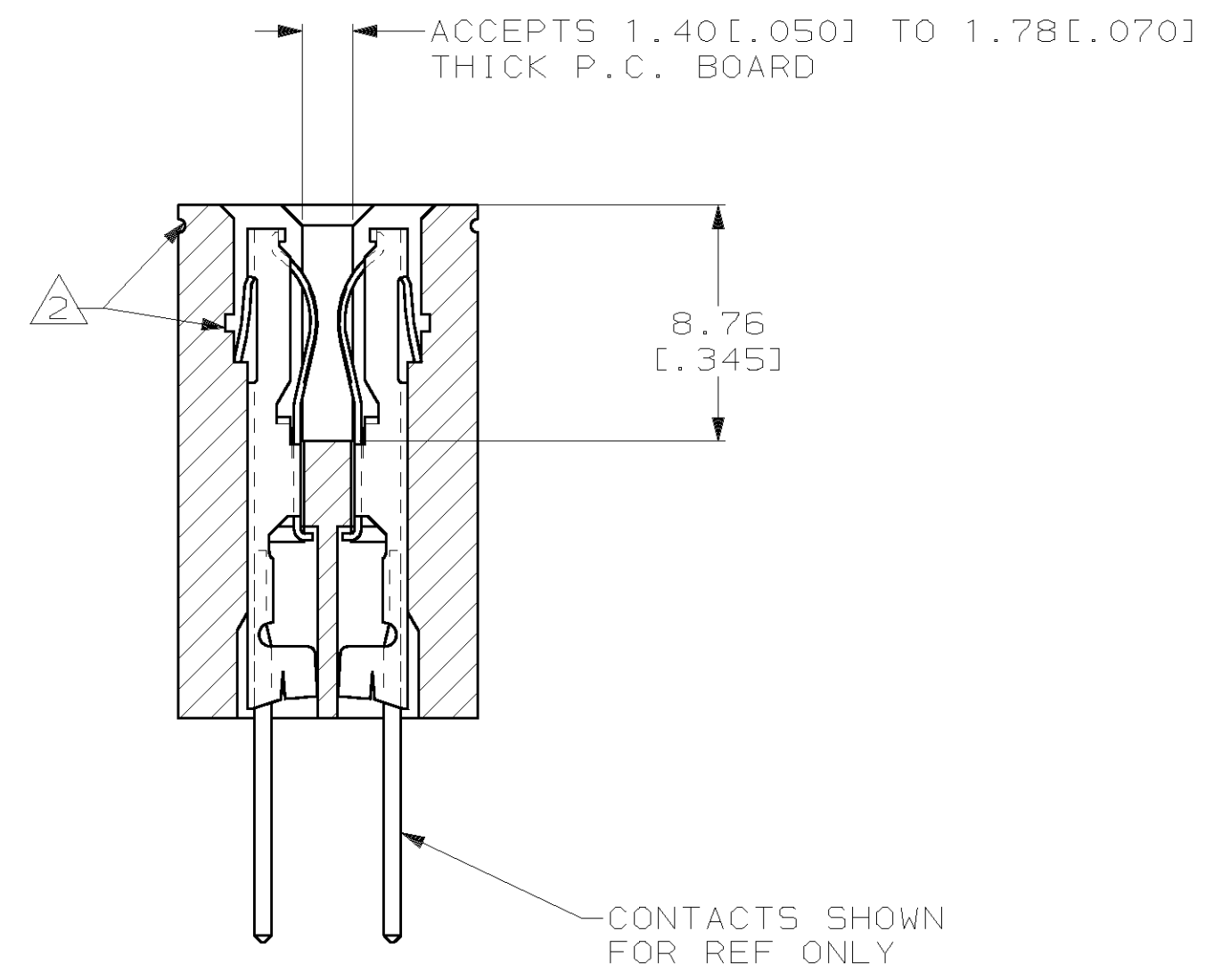
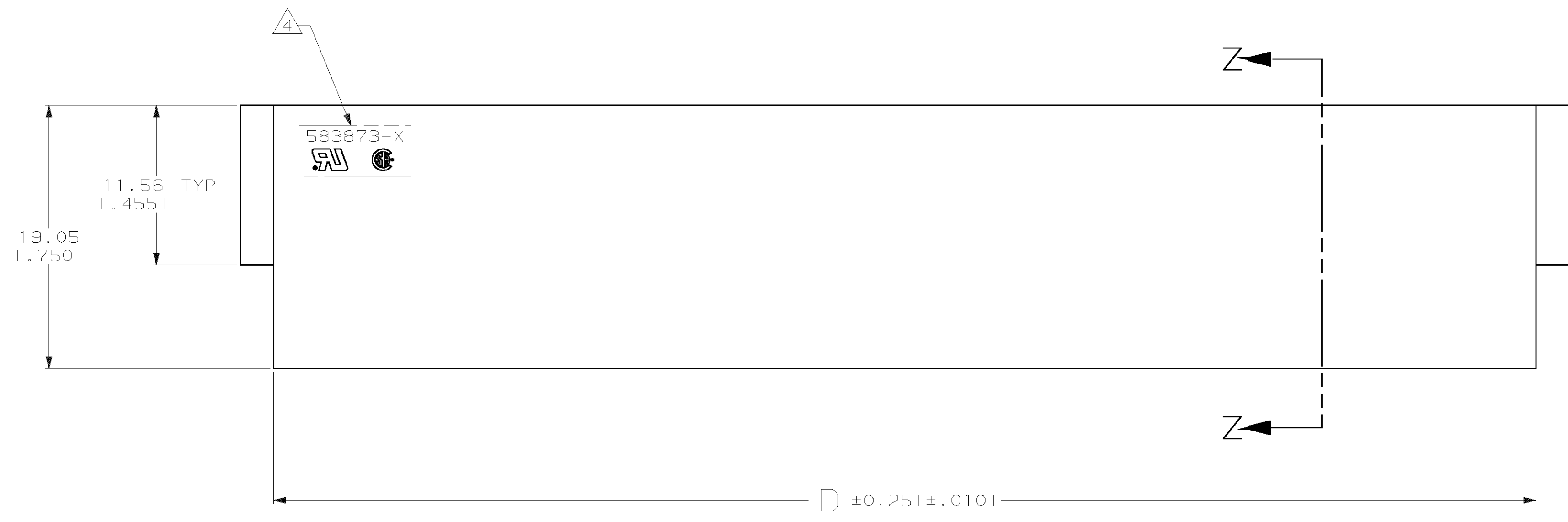
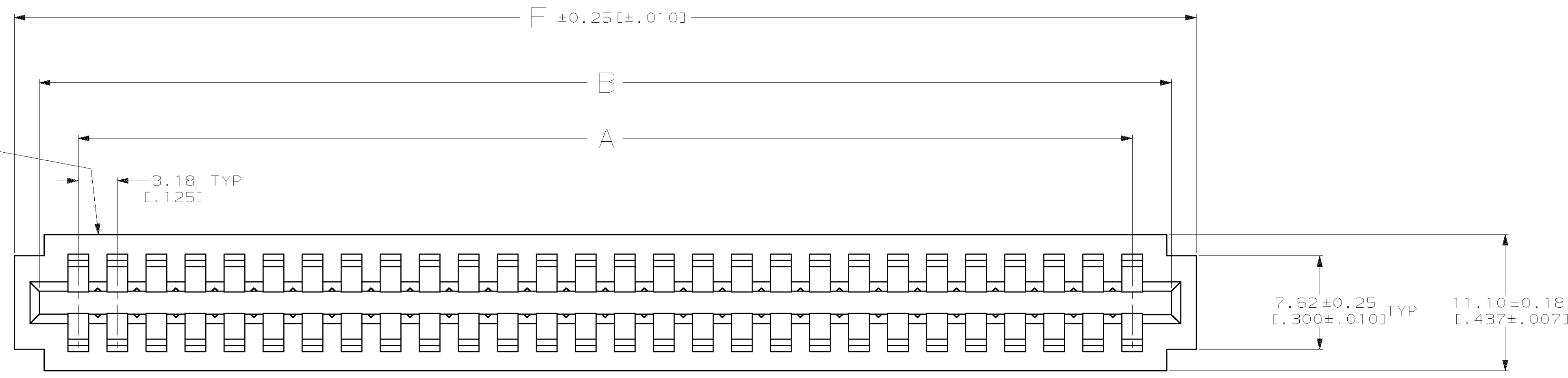


LOC	DIST	P	F	ZONE	LTR	DESCRIPTION	DATE	APPD
AD	00							
					N	REDRAWN PER 0010-0052-94	3/4/94	HR
					P	REVISED PER 0010-0683-94	9/20/94	HR
					R	REVISED RER 0010-0812-95	9-22-95	PEB
					S	REVISED RER 0010-0862-95	9/27/95	RB HR
					T	REVISED PER 0010-0818-95	1-4-95	PB HR
					U	REV PER EC 0320-349-97	31 OCT 97	NS
					V	REV PER EC 0652-84-98	09 SEP 98	HR
					W	REV PER EC 0652-0008-99	03/08/99	CB



DO NOT SCALE PRINT. UNLESS SPECIFIED DIMENSIONS IN mm [INCHES] TOLERANCES - ON : 2 PLC DEC ± - 3 PLC DEC ± 0.13[.005] ANGLES ± -		DR 12-9-92 J GALLUCCI B6	PART NO	
MATERIAL GLASS FILLED POLYESTER COLOR: BLACK	FINISH -	CHK 3/4/94 H ROSE	APPD 3/4/94 H ROSE	AMP Incorporated Harrisburg, PA 17105-3508 NAME HOUSING, CRIMP SNAP TWIN LEAF, .125¢ WITHOUT MOUNTING EARS
		APPD 3/4/94 M THUMMA	PRODUCT SPEC -	
		APPLICATION SPEC -	SCALE 4:1	SIZE D CAGE CODE 00779 DRAWING NO C-583873 SHEET 1 OF 2

THIS DRAWING IS A CONTROLLED DOCUMENT FOR AMP INCORPORATED. IT IS SUBJECT TO CHANGE AND THE CONTROLLING ENGINEERING ORGANIZATION SHOULD BE CONTACTED FOR THE LATEST REVISION.

LOC		DIST		P		ZONE		LTR		REVISIONS		
AD	00									DESCRIPTION	DATE	APPD
										W SEE SHEET 1	-	-

- ① FIRST 22 POSITIONS MARKED WITH UPPER CASE LETTERS, FOLLOWED BY LOWER CASE LETTERS, FOLLOWED BY UPPERCASE AA,AB,AC ETC. CHARACTERS G,I,O AND Q ARE OMITTED.
- ② PULL GROOVES OPTIONAL THESE LOCATIONS REF ONLY.
- ③ HOUSING PART NUMBER, UL & CSA LOGO'S TO BE MOLDED IN THIS AREA. UL LOGO PER 1-18838-3, CSA LOGO PER 1-18839-3.
- ④ SPECIAL MARKING STAMPED BOTH SIDES FOR 2-583873-3
- ⑤ DATE CODE TO BE MOLDED IN THIS AREA



2-583783-3 ④

OBSOLETE	④	96.14	91.31	92.08	85.73	28	2-583783-3
		[3.785]	[3.595]	[3.625]	[3.375]		
OBSOLETE		102.49	97.66	98.43	92.08	30	2-583783-1
		[4.035]	[3.845]	[3.875]	[3.625]		
		146.94	142.11	142.88	136.53	44	1-583783-9
		[5.785]	[5.595]	[5.625]	[5.375]		
OBSOLETE		134.24	129.41	130.18	123.83	40	1-583783-7
		[5.285]	[5.095]	[5.125]	[4.875]		
OBSOLETE		105.66	100.84	101.60	95.25	31	1-583783-5
		[4.160]	[3.970]	[4.000]	[3.750]		
OBSOLETE		96.14	91.31	92.08	85.73	28	1-583783-3
		[3.785]	[3.595]	[3.625]	[3.375]		
OBSOLETE		86.61	81.79	82.55	76.20	25	1-583783-1
		[3.410]	[3.220]	[3.250]	[3.000]		
		77.09	72.26	73.03	66.68	22	583783-9
		[3.035]	[2.845]	[2.875]	[2.625]		
OBSOLETE		64.39	59.56	65.41	53.98	18	583783-7
		[2.535]	[2.345]	[2.575]	[2.125]		
		54.86	50.04	50.80	44.45	15	583783-5
		[2.160]	[1.970]	[2.000]	[1.750]		
OBSOLETE		38.99	34.16	34.93	28.58	10	583783-3
		[1.535]	[1.345]	[1.375]	[1.125]		
		26.29	21.46	22.23	15.88	6	583783-1
		[1.035]	[.845]	[.875]	[.625]		
		F	D	B	A	POSN	PART NUMBER

DO NOT SCALE PRINT. UNLESS SPECIFIED DIMENSIONS IN mm [INCHES]		DR 12-9-92 J GALLUCCI B6		AMP AMP Incorporated Harrisburg, PA 17105-3508	
TOLERANCES ON:	CHK 3/4/94 H ROSE	NAME			
2 PLC DEC ± -	APPD 3/4/94 H ROSE	HOUSING, CRIMP SNAP			
3 PLC DEC ± -	APPD 3/4/94 M THUMMA	TWIN LEAF, .125¢			
ANGLES ± -	PRODUCT SPEC	WITHOUT MOUNTING EARS			
MATERIAL	APPLICATION SPEC	SIZE	CAGE CODE	DRAWING NO	
-	-	D	00779	C-583873	
FINISH	WEIGHT	SCALE	SHEET	SHEET	
-	-	4:1	20F2	20F2	

THIS DRAWING IS A CONTROLLED DOCUMENT FOR AMP INCORPORATED. IT IS SUBJECT TO CHANGE AND THE CONTROLLING ENGINEERING ORGANIZATION SHOULD BE CONTACTED FOR THE LATEST REVISION.